

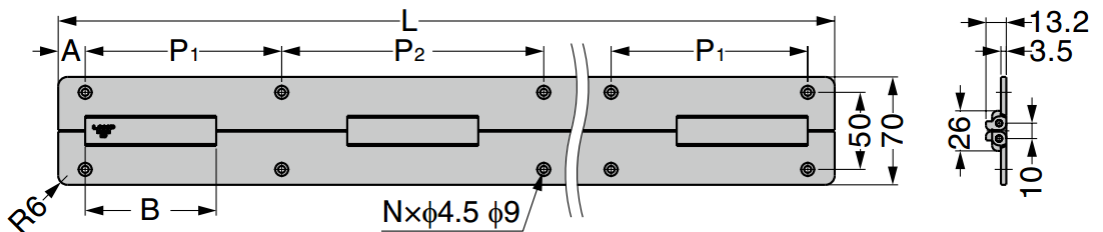
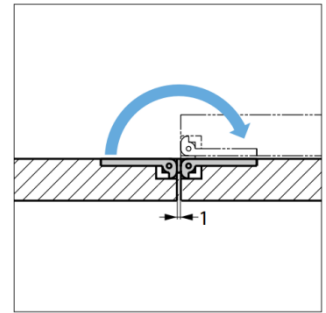
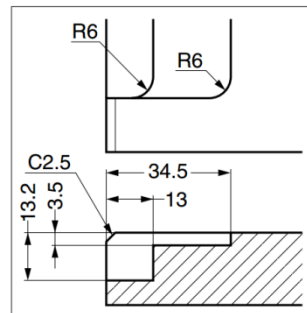
## GHG-MH Aluminium Piano Hinge

### Features

- Double pivot hinge allows 180° opening
- 400mm, 800mm, 1100mm lengths available
- Can be cut easily

### Notes

- In event of cutting, to ensure shaft does not fall off



Part No.	Material	Finish	L	A	P <sub>1</sub>	P <sub>2</sub>	B	Holes Quantity
GHG-MH400S	Aluminium Alloy	Anodised / Stainless Finish	400	15	111	148	74	8
GHG-MH400BR		Anodised / Brown						
GHG-MH400BL		Anodised / Black						
GHG-MH800S		Anodised / Stainless Finish	800	17.5	127.5	170	85	12
GHG-MH800BR		Anodised / Brown						
GHG-MH800BL		Anodised / Black						
GHG-MH1100S		Anodised / Stainless Finish	1100	16.5	145.5	194	97	14
GHG-MH1100BR		Anodised / Brown						
GHG-MH1100BL		Anodised / Black						